

**THIS MANUAL IS FOR THE FOLLOWING MODELS**

Dieses Handbuch gilt für die folgenden Modelle | Ce manuel concerne les modèles suivants | Este manual es para los siguientes modelos | 此手册适用于以下型号

Model no. **PH-XT325M** Product **XT M3**

**LEGEND**

Legende | Légende | Leyenda | 说明  
 Remove | Entfernen | Retirer | Eliminar | 移除  
 Install | Installieren | Installer | Instalar | 安装  
 Loosen | Lösen | Desserrer | Aflojar | 拧松

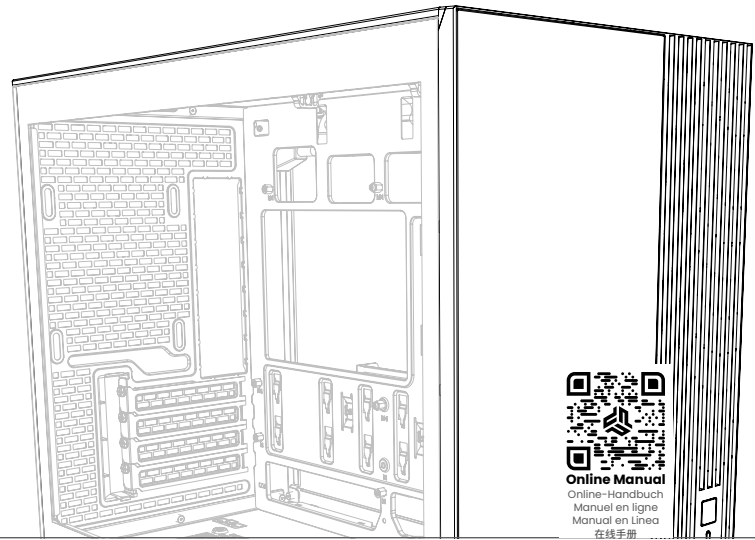
**EN** Phanteks will not take responsibility for any damages incurred due to incorrect installation or usage of this product.

**DE** Phanteks übernimmt keine Verantwortung für Schäden, die durch eine falsche Installation oder Verwendung dieses Produkts entstehen.

**FR** Phanteks décline toute responsabilité en cas de dommages résultant d'une installation ou d'une utilisation incorrecte de ce produit.

**ES** Phanteks no se responsabilizará de los daños ocasionados por la instalación o el uso incorrectos de este producto.

**CN** Phanteks 不会对安装中失误造成的任何损失负责, 请仔细阅读本手册。



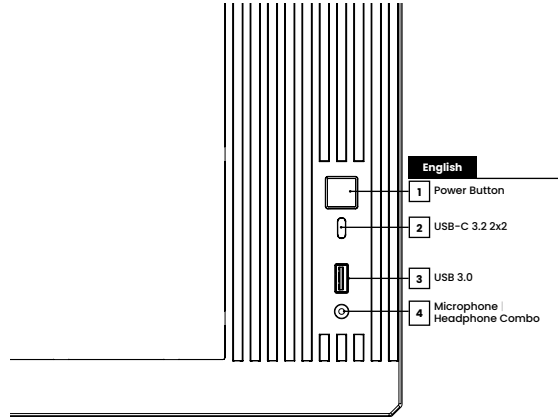
**SCOPE OF DELIVERY**

Lieferumfang | Contenu de la livraison | Alcance de la entrega | 供货范围

- SSD + Mainboard Screw** x17
- HDD Screw** x4
- Power Supply Screw** x5
- GPU Support** x1
- Mainboard Stand-off** x1
- Stand-off Removal Tool** x1
- Zip Tie** x9
- XT M3 Compact Micro-ATX Tower** x1

**FRONT IN- OUTPUT**

Front Ein- Ausgang | Entrée-Sortie avant | Delantero de entrada y salida | 前置输入输出



**CLEARANCE**

Spielraum | Autorisation | Autorización | 安装间隙

Fans   Fans   Ventilateurs   Ventiladores   风扇				
	Top Spitze   Haut   Arriba   顶	Front Vorderseite   Devant   Delantero   正面	Bottom Unterseite   Bas   Abajo   底	Rear Rückseite   Arrière   Trasera   后
120	3x	2x	3x	1x
140	-	-	-	-

Radiator   Kühler   Radiateur   Radiador   水冷排				
120	max. 360	-	-	-
140	-	-	-	-

Clearance   Spielraum   Autorisation   Autorización   间隙	
<b>CPU Cooler</b> Height   Höhe   Hauteur   Altura   风冷	175 mm   6.88 in
<b>GPU</b> Length   Länge   Longueur   Longitud   电源 Without front fans	430 mm   16.92 in
<b>GPU</b> Width   Breite   Largeur   Ancho   显卡宽	175 mm   6.88 in
<b>Power Supply</b> Length   Länge   Longueur   Longitud   电源	150 mm   5.90 in
<b>Top Radiator</b> Length x Width x Height   Länge x Breite x Höhe   Longueur x Ancho x Hauteur   Longitud x Ancho x Altura   电源 x 显卡宽 x 风冷	410 x 122 x 60 mm   16.14 x 4.80 x 2.36 in

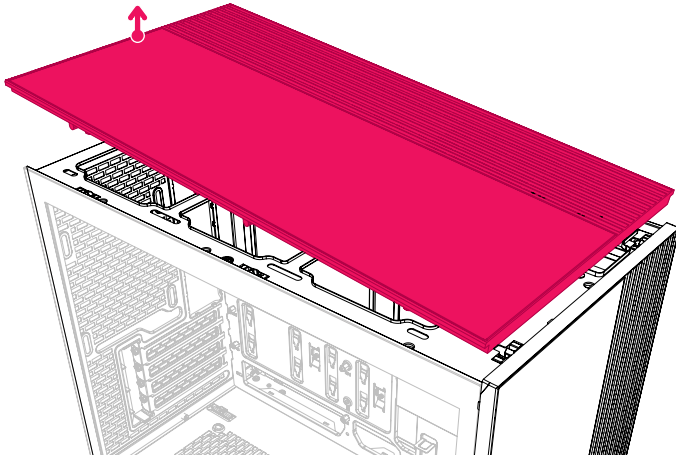
Deutsch	Français	Española	中文
1 Netzschalter	1 Bouton d'alimentation	1 Botón de encendido	1 电源按钮
2 USB-C 3.2 2x2	2 USB-C 3.2 2x2	2 USB-C 3.2 2x2	2 USB-C 3.2 2x2
3 USB 3.0	3 USB 3.0	3 USB 3.0	3 USB 3.0
4 Mikrofön   Kopfhörer-Kombi	4 Ensemble microphone / casque	4 Micrófono / Combo de auriculares	4 麦克风   耳机组合

**1 PANEL REMOVAL**

Ausbau des Panels | Retrait du panneau | Eliminación de paneles | 移除面板

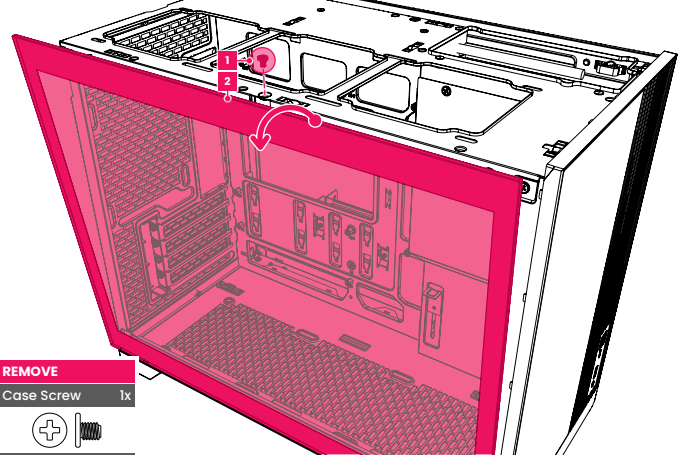
**01 Top Panel**

Oberes Bedienfeld | Panneau supérieur | Panel superior | 顶部面板



**02 Right Side Panel**

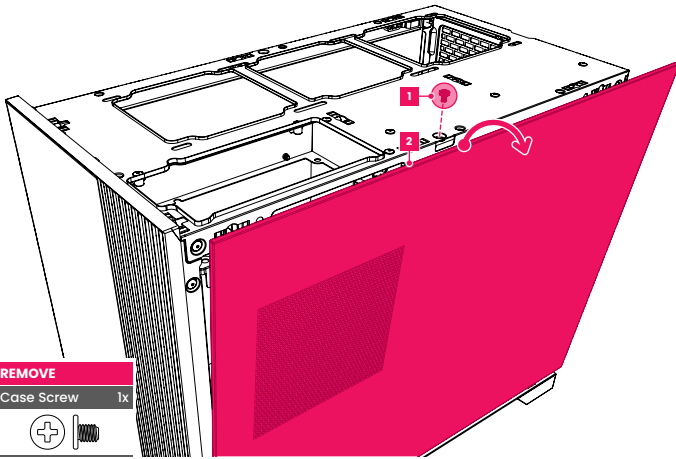
Rechtes Seitenteil | Panneau latéral droit | Panel lateral derecho | 右侧面板



**REMOVE**  
Case Screw 1x

**03 Left Side Panel**

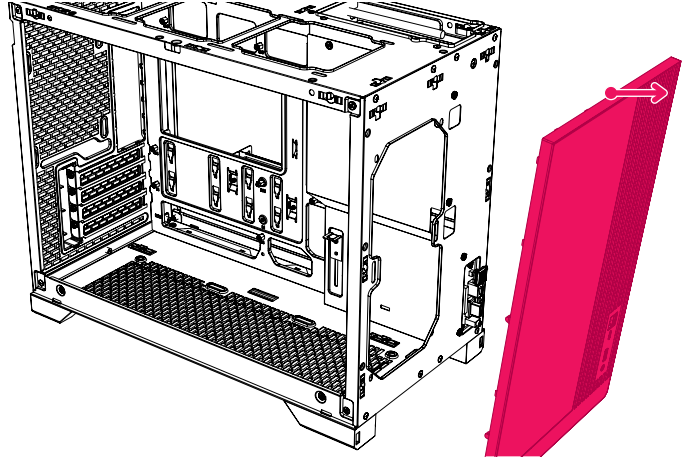
Linke Seitenwand | Panneau latéral gauche | Panel lateral izquierdo | 左侧面板



**REMOVE**  
Case Screw 1x

**04 Front Panel**

Vorderseite | Panneau avant | Panel frontal | 前面板

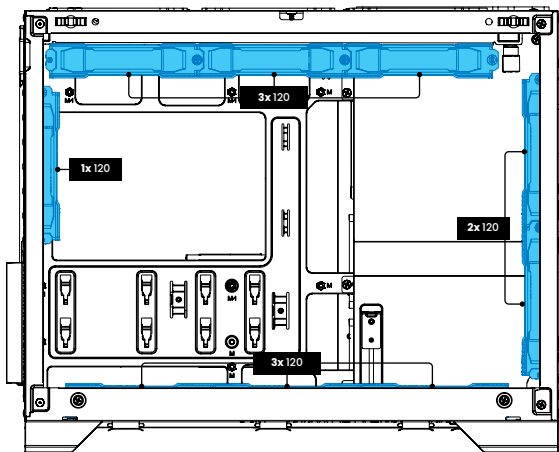


**2 FANS & RADIATOR INSTALLATION**

Lüfter- und Kühlerinstallation | Installation de ventilateurs et de radiateurs | Instalación de ventiladores y radiadores | 风扇和散热器安装

**Total Fan Support**

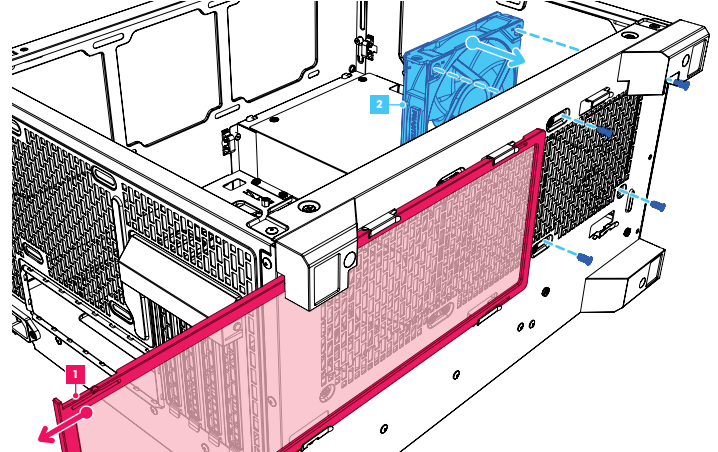
Umfassende Fan-Unterstützung | Soutien total des fans | Apoyo total de los fans | 全力粉丝支持



Support up to 9x 120 | Unterstützt bis zu 9x 120 | Supporte jusqu'à 9x 120 | Soporta hasta 10x 120 | 支持最大 9x 120

**Install Bottom Fans**

120-Lüfter | Ventilateurs de 120 | Ventiladores de 120 | 120毫米风扇

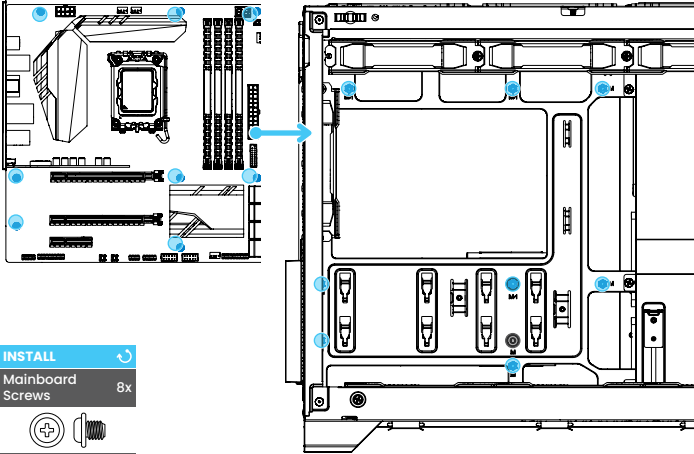


### 3 HARDWARE INSTALLATION

Hardware-Installation | Installation du matériel | Instalación de hardware | 硬件安装

#### 01 Mainboard

Mainboard | Carte mère | Placa base | 主板

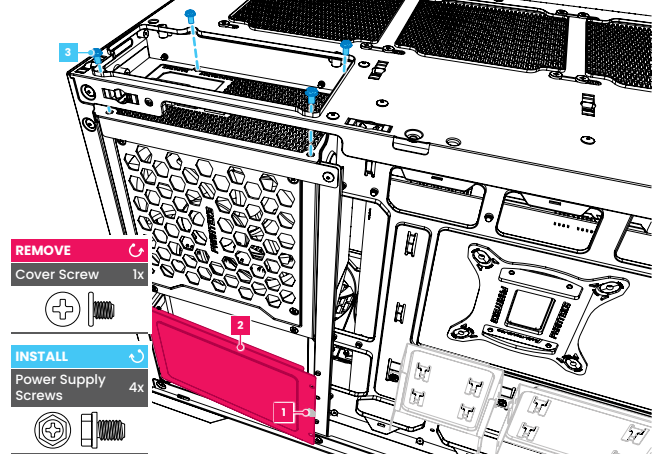


**INSTALL** ↻

Mainboard Screws 8x

#### 02 Power Supply

Stromversorgung | Source de courant | Fuente de alimentación | 电源



**REMOVE** ↻

Cover Screw 1x

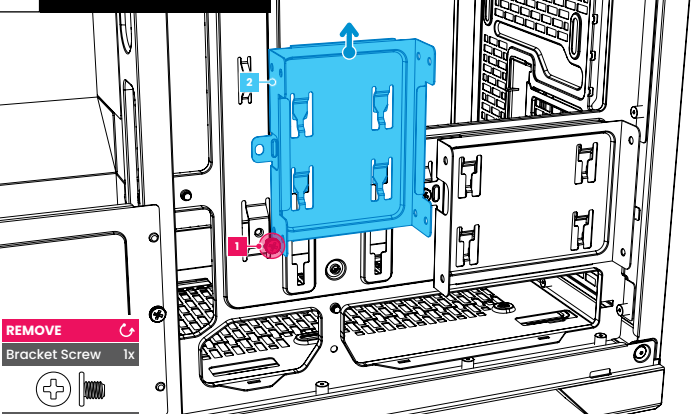
**INSTALL** ↻

Power Supply Screws 4x

#### 03 Storage Brackets

Lagerhalterungen | Supports de rangement | Soportes de almacenamiento | 储物支架

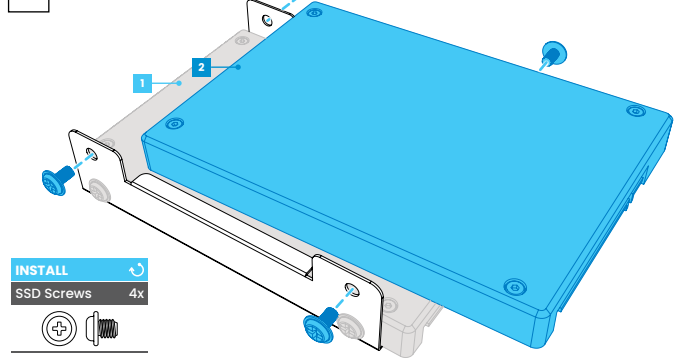
##### 1 2.5" SSD BRACKET



**REMOVE** ↻

Bracket Screw 1x

##### 2

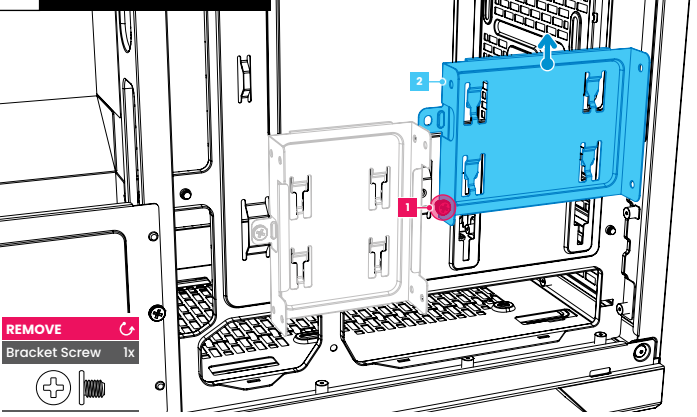


**INSTALL** ↻

SSD Screws 4x

**Support Dual 2.5" SSD**  
 Unterstützt zwei 2,5-Zoll-SSDs | Prise en charge de deux SSD 2,5 pouces | Admite dos SSD de 2,5" | 支持双 2.5" SSD

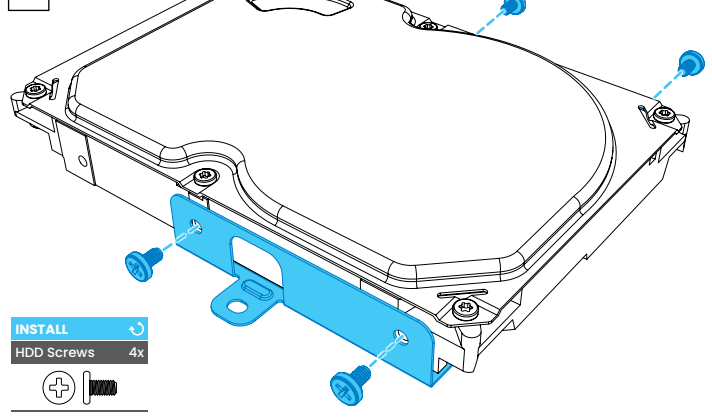
##### 1 3.5" HDD BRACKET



**REMOVE** ↻

Bracket Screw 1x

##### 2

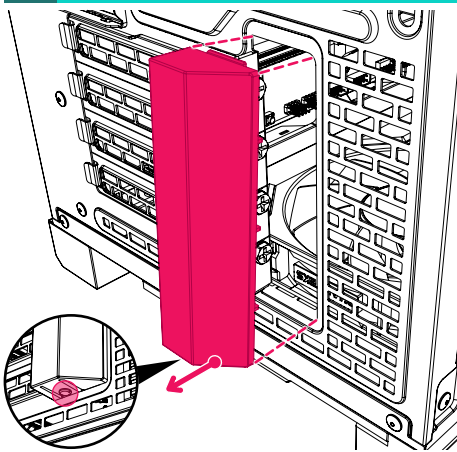


**INSTALL** ↻

HDD Screws 4x

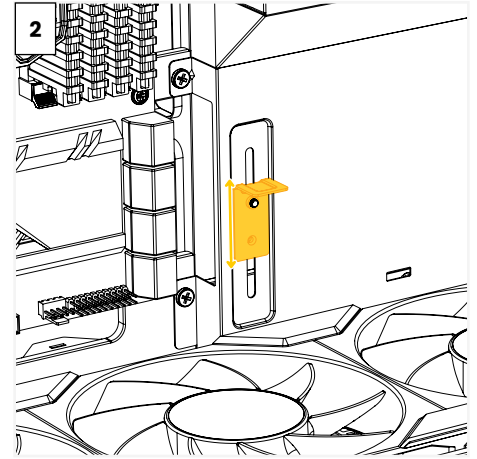
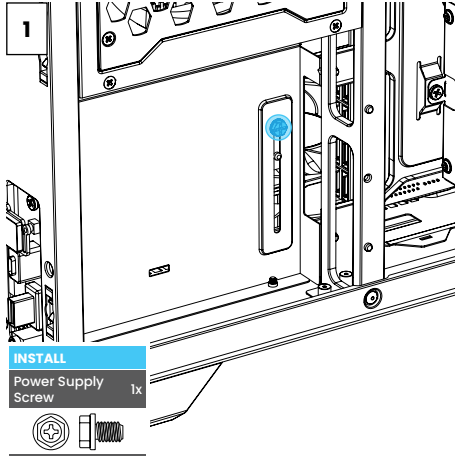
**4 REMOVE PCIe COVER**

PCIe-Abdeckung entfernen | Retirer le couvercle PCIe | Retire la cubierta PCIe | 移除 PCIe 盖



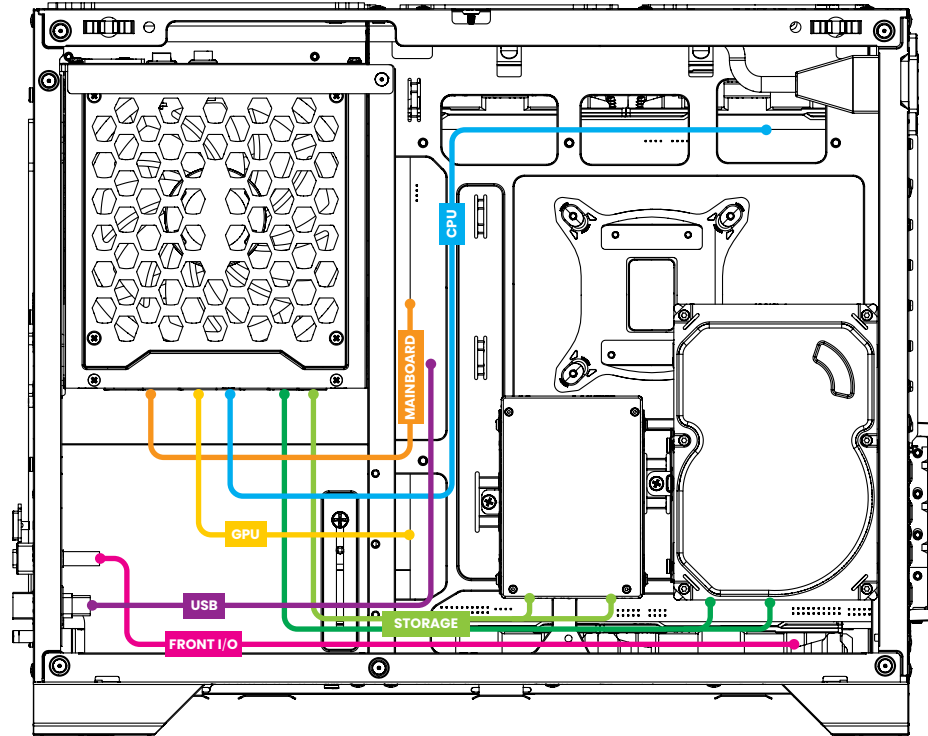
**5 GPU SUPPORT BRACKET**

GPU-Halterung | Support de support GPU | Soporte de GPU | GPU 支架



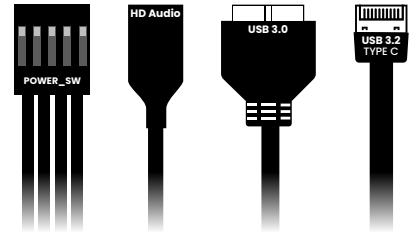
**CABLE MANAGEMENT**

Kabelmanagement | Gestion des câbles | Gestión de cables | 电缆管理



**CABLES**

Kabel | Cables | Cabos | 机箱线缆



**SAFETY INFORMATION**

Sicherheitsinformation | Information de sécurité | Información de seguridad | 安全信息

In order to achieve maximum safety, we suggest that you adopt the following guidelines:

1. Place the product on a clean and stable surface that allows adequate air ventilation.
2. Don't use or place the product and any of its components near water, moisture, or other wet surfaces; or place the product near any heat, open flame, or other hot surfaces such as radiators, stoves, fireplaces, and candles.
3. Use caution when operating the desktop PC to avoid electrical shock or damage, such as unplugging the power supply during thunderstorms, ensuring that your hands are dry before using (and handling) the desktop PC, keeping it away from any source of liquid and/or heat source, and using all other reasonable precautions needed under the circumstances.
4. When connecting external devices to your desktop PC, carefully plan how the wires will be placed. Protect any connected cables from being trod on or pinched, particularly at plugs, convenience receptacles, or the point where they exit from.
5. Take extra caution when handling/removing/reattaching glass components. Once removed, place the glass component on a stable surface first before proceeding.
6. When unplugging any connected devices and/or cables, always pull the cable or device's plug or connector. Don't forcefully tug on its cord.
7. Don't place any heavy items on top of the product.
8. Make sure that the desktop PC is off, unplugged from the outlet, and that all connected devices are powered off and unplugged (if any) before installing or uninstalling any internal component to and/or from the desktop PC or product.

**NOTE ON DISPOSAL**



The WEEE symbol indicates that this product must not be disposed of with normal household waste. Through the correct disposal of this product, you will help protect the environment. For more information on the disposal of this product, please contact your local municipality, your waste disposal service or the shop where you purchased the product.



**FR**  
Cet appareil se recycle

REPRISE À LA LIVRAISON  
OU  
À DÉPOSER EN MAGASIN  
OU  
À DÉPOSER EN DÉCHÈTERIE

Points de collecte sur [www.quefairede mesdechets.fr](http://www.quefairede mesdechets.fr)  
Privilégiez la réparation ou le don de votre appareil !

**Phanteks Group Inc.**  
T1F, No. 150, Jian 1st Rd,  
Zhonghe Dist.  
New Taipei City 235

**Importer EU**  
Axpertec Int. B.V. (EU)  
Sydneystraat 33  
3047 BP Rotterdam  
The Netherlands

**Importer US**  
Axpertec Inc. (US)  
20465 E Walnut Dr. N  
City of Industry, CA 91789  
USA